



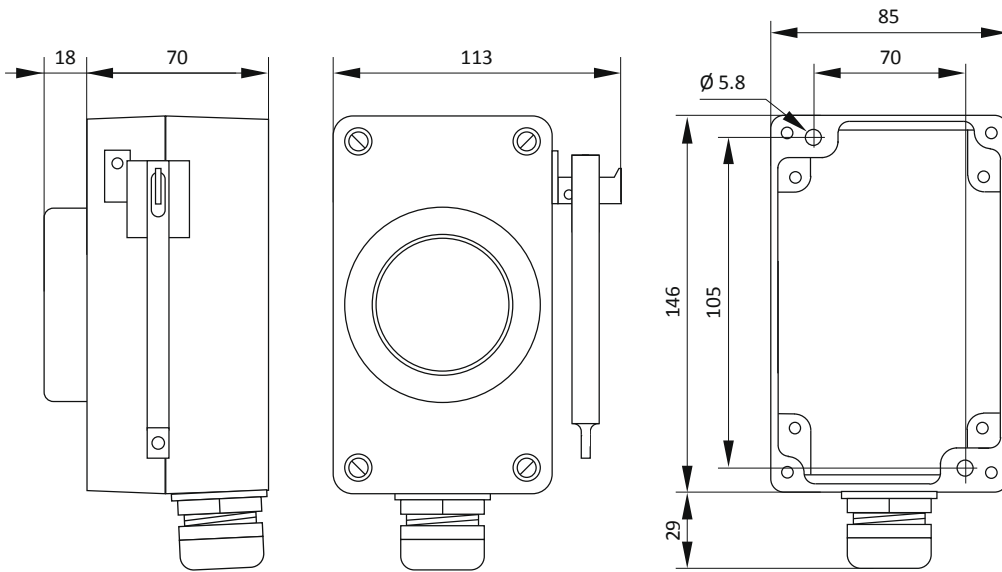
The fire alarm control stations XAWS are an easy way to secure your premises. They are provided with hammer used to break the glass in case of emergency.

The XAWS are available in two operating modes:

- In automatic mode, the contact block is held in position by the glass. The contact opens as soon as the glass is broken.
- In the manual mode, the contact must be operated by the user once the glass is broken.

TECHNICAL DATA


Material	Glass-reinforced polyester (GRP)
IP rating	IP65 according to EN/IEC 60529
Temperature range	-20°C ... +40°C or +50°C or +60°C
Certificate	INERIS 03ATEX0122X
Marking	II 2 GD Ex d e IIC T6 ... T4 Gb T85°C ... T135°C
Features of the contact block	I _{th} = 10 A; U _i = 415 V
	AC U _e = 380 V; I _e = 1,9 A or U _e = 240 V; I _e = 3 A or U _e = 120 V; I _e = 6 A
	DC U _e = 250 V; I _e = 0,27 A or U _e = 125 V; I _e = 0,55 A or U _e = 24 V; I _e = 2,87 A



Product code	Control unit type	Contact
XAWS111	Automatic contact operation	1 NC
XAWS121	Automatic contact operation	1 NO
XAWS151	Automatic contact operation	1 NC + 1 NO
XAWS211	Manual contact operation	1 NC
XAWS221	Manual contact operation	1 NO
XAWS251	Manual contact operation	1 NC + 1 NO
Spare part		
XAWS901	Glass	

Additional contact blocks

Features of the contact block			
Temperature range	-50°C ... +75°C	Electrical features	$I_{th} = 10 \text{ A}; U_i = 415 \text{ V}$
Certificate	INERIS 02ATEX9007U		AC $U_e = 380 \text{ V}; I_e = 1,9 \text{ A}$ or
	IECEX INE 13.0063U		$U_e = 240 \text{ V}; I_e = 3 \text{ A}$ or
Marking	II 2 G		$U_e = 120 \text{ V}; I_e = 6 \text{ A}$
	Ex d e IIC Gb		DC $U_e = 250 \text{ V}; I_e = 0,27 \text{ A}$ or
			$U_e = 125 \text{ V}; I_e = 0,55 \text{ A}$ or
			$U_e = 24 \text{ V}; I_e = 2,87 \text{ A}$

Type	Product code	Description
	ZBWE101	NO
	ZBWE102	NC