

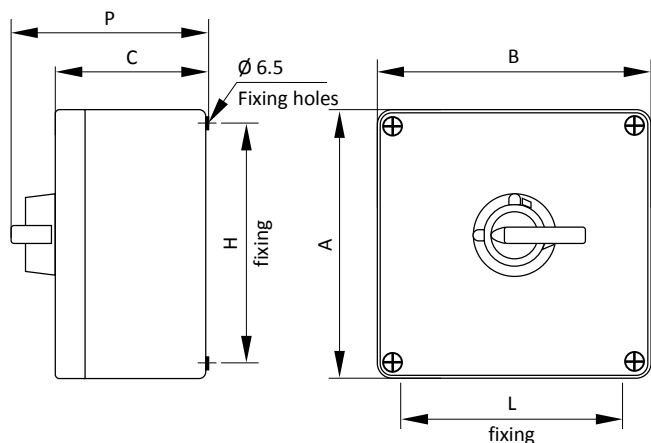


The safety switches are made of polyester (GRP) or stainless steel AISI 316L.

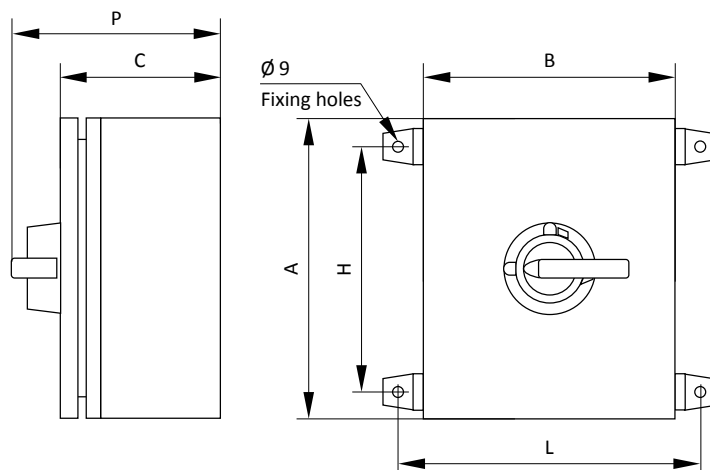
They provide isolation during maintenance or repair of machines in every industrial application in hazardous areas.

TECHNICAL DATA

Material	GRP or Stainless steel AISI 316L						
IP rating	IP66 according to EN/IEC 60529						
Temperature range	-20°C/-50°C ... +40°C/+60°C						
Certificate	INERIS						
Marking	II 2 GD Ex db eb IIC T4/T5 Gb Ex tb IIIC T80°C Db IP66						
Polarity	2P or 3/4 poles						
Electrical features	Category AC22A	Rated current	20A	25A	32A	40A	63A
		Rated voltage	690V	690V	690V	690V	690V
	Category AC23A	Rated current	20A	25A	32A	40A	63A
		Rated voltage	-	-	-	690V	690V
		Rated voltage	500V	500V	500V	500V	500V
	Category AC3	Rated current	20A	25A	32A	40A	63A
		Rated voltage	500V	500V	500V	-	-
	Accessories on request	Earth-stud					
		Breath valves					
Auxiliary contacts							
Ambient temperature of -50°C ... +55°C or +60°C							



Enclosure in GRP



Enclosure in stainless steel

Enclosure in glass-reinforced polyester (GRP)

General use (1)	Emergency use (2)	Number poles	Rated current	Cable entries	Dimensions					T° Gas (3)	T° Dust
					A	B	C	P	H x L		
DE1GU202	DE1EU202	2P	20A	2 x M25	160	160	91	125	110 x 140	T4	T80°C
DE1GU204	DE1EU204	3/4P	20A	2 x M25	160	160	91	125	110 x 140	T4	T80°C
DE1GU252	DE1EU252	2P	25A	2 x M25	160	160	91	125	110 x 140	T4	T80°C
DE1GU254	DE1EU254	3/4P	25A	2 x M25	160	160	91	125	110 x 140	T4	T80°C
DE1GU322	DE1EU322	2P	32A	2 x M25	160	160	91	125	110 x 140	T4	T80°C
DE1GU324	DE1EU324	3/4P	32A	2 x M32	160	160	91	125	110 x 140	T4	T80°C
DE1GU402	DE1EU402	2P	40A	2 x M32	250	255	121	155	200 x 235	T4	T80°C
DE1GU404	DE1EU404	3/4P	40A	2 x M40	250	255	121	155	200 x 235	T4	T80°C
DE1GU632	DE1EU632	2P	63A	2 x M40	250	255	121	155	200 x 235	T4	T80°C
DE1GU634	DE1EU634	3/4P	63A	2 x M50	250	255	121	155	200 x 235	T4	T80°C

- 1) The colour of the handle switch is black
- 2) The colour of the handle switch is red and yellow
- 3) Temperature class T5 with an ambient temperature of +40°C or +50°C

Enclosure in stainless steel AISI 316L

General use (1)	Emergency use (2)	Number poles	Rated current	Cable entries	Dimensions					T° Gas (3)	T° Dust
					A	B	C	P	H x L		
SDE1GU202	SDE1EU202	2P	20A	2 x M25	200	150	150	185	150 x 200	T4	T80°C
SDE1GU204	SDE1EU204	3/4P	20A	2 x M25	200	150	150	185	150 x 200	T4	T80°C
SDE1GU252	SDE1EU252	2P	25A	2 x M25	200	150	150	185	150 x 200	T4	T80°C
SDE1GU254	SDE1EU254	3/4P	25A	2 x M25	200	150	150	185	150 x 200	T4	T80°C
SDE1GU322	SDE1EU322	2P	32A	2 x M25	200	150	150	185	150 x 200	T4	T80°C
SDE1GU324	SDE1EU324	3/4P	32A	2 x M32	200	150	150	185	150 x 200	T4	T80°C
SDE1GU402	SDE1EU402	2P	40A	2 x M32	300	200	150	185	250 x 250	T4	T80°C
SDE1GU404	SDE1EU404	3/4P	40A	2 x M40	300	200	150	185	250 x 250	T4	T80°C
SDE1GU632	SDE1EU632	2P	63A	2 x M40	300	200	150	185	250 x 250	T4	T80°C
SDE1GU634	SDE1EU634	3/4P	63A	2 x M50	300	200	150	185	250 x 250	T4	T80°C

- 1) The colour of the handle switch is black
- 2) The colour of the handle switch is red and yellow
- 3) Temperature class T5 with an ambient temperature of +40°C or +50°C

Accessories

Product code	Description	Product code	Description
DE1VE	Breather valve	ZBWE101 (4)	Auxiliary contact NO - Max. 2 contacts
DE1TT	Earth-stud	ZBWE102 (4)	Auxiliary contact NC - Max. 2 contacts

(4) The contacts NO and NC can be mixed to fit 1NO + 1NC